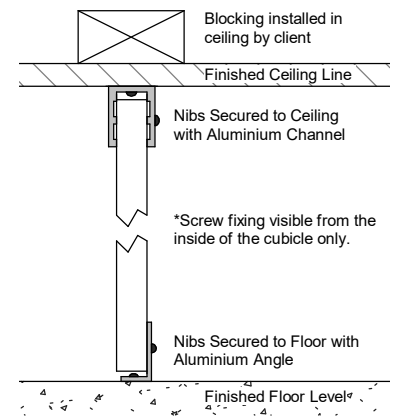
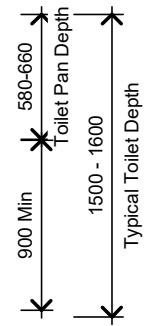
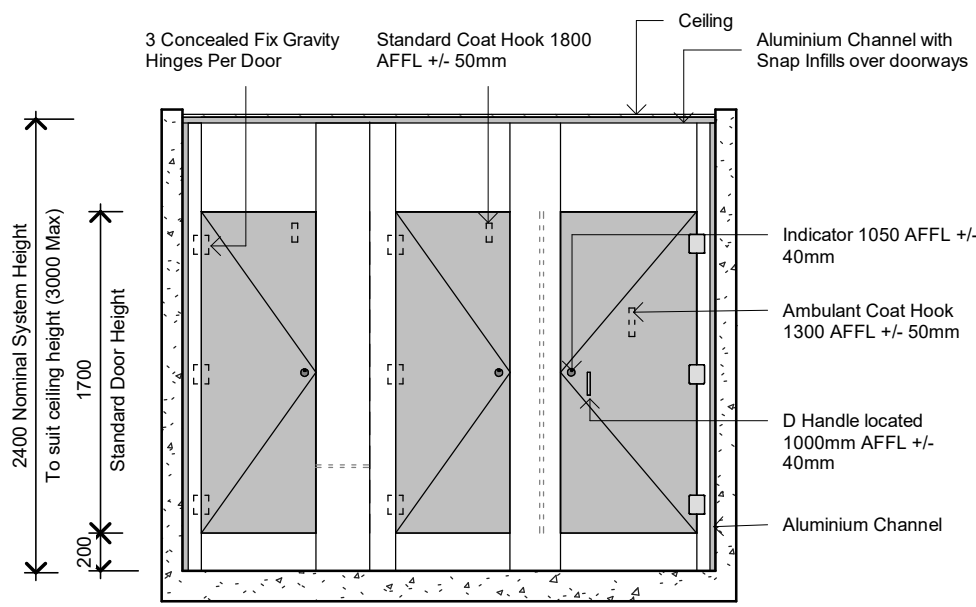


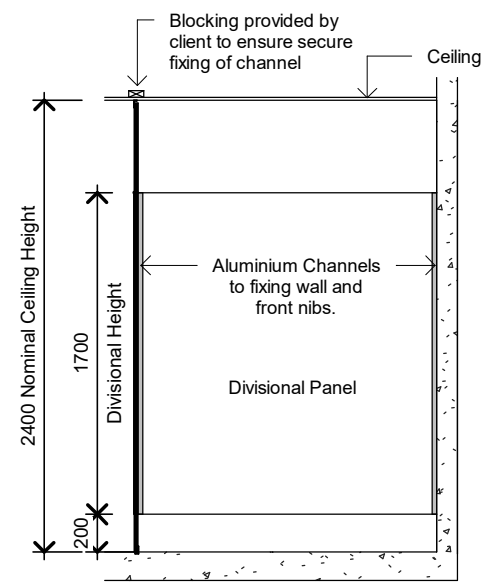
Typical Floor Plan



Floor & Ceiling Fixing Detail



Typical Elevation



Typical Section

DURACUBE
 toilet partitions
 P: 1300 387 288
 E: sales@duracube.com.au
 www.duracube.com.au

Floor Mounted Ceiling Fixed System

Typical Layouts

Drawings

Drawn by	Duracube
Date	-
Job #	-
Scale	As indicated

Signature	
Date	

A101