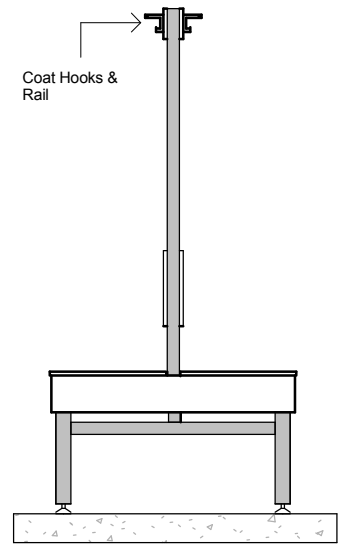
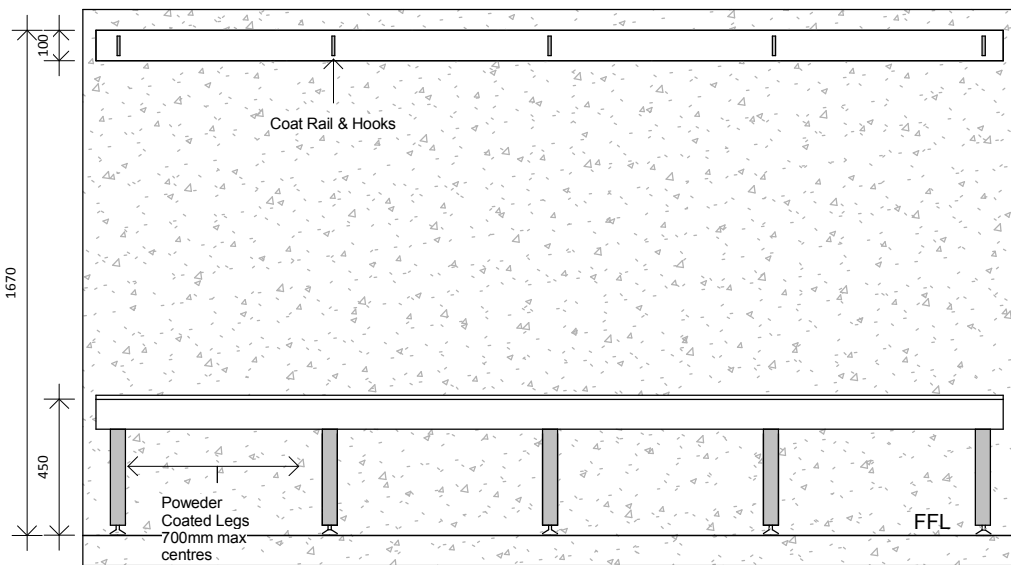


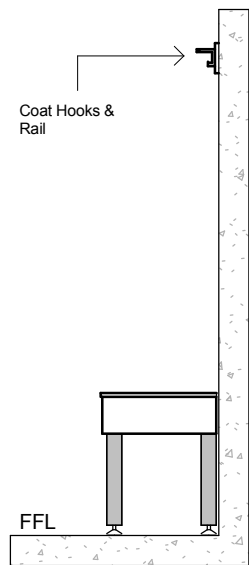
Island Seating Front View



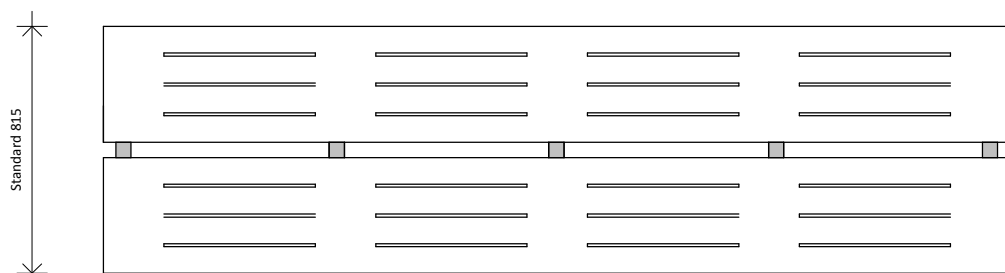
Island Seating End View



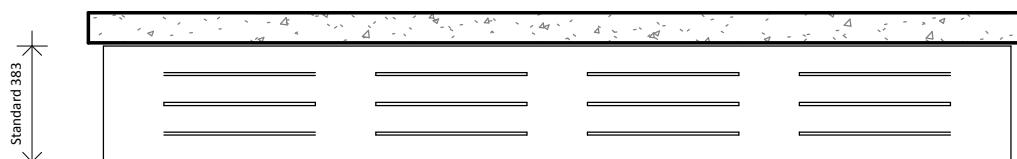
Wall Seating Front View



Wall Seating End View



Island Seating Top View



Wall Seating Top View



P: 1300 387 288  
E: sales@duracube.com.au  
www.duracube.com.au

Duracube

Typical Layouts

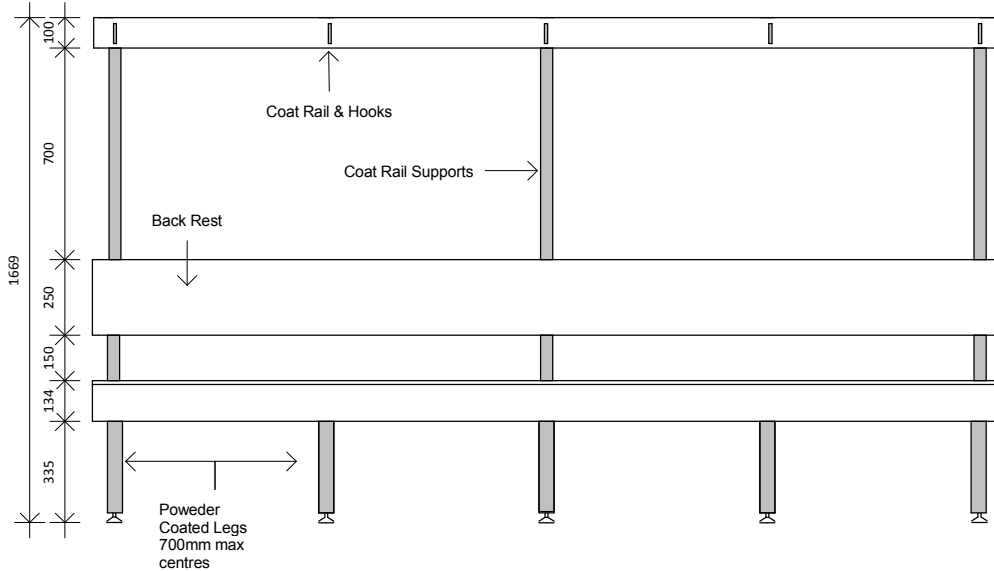
Bench Seating  
Detail Drawings

Drawn by	Author
Date	09/12/17
Job #	Project Number
Scale	1 : 25

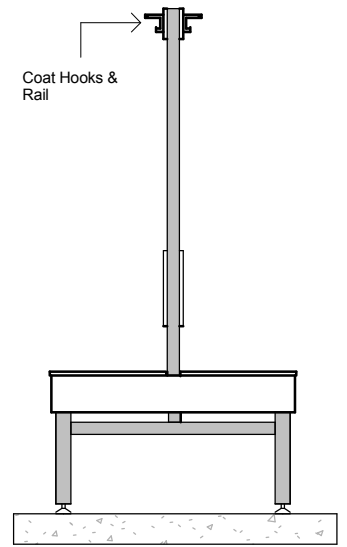
It is the clients responsibility to ensure the layout complies with relevant legislation including AS1428.1

Signature  
Date

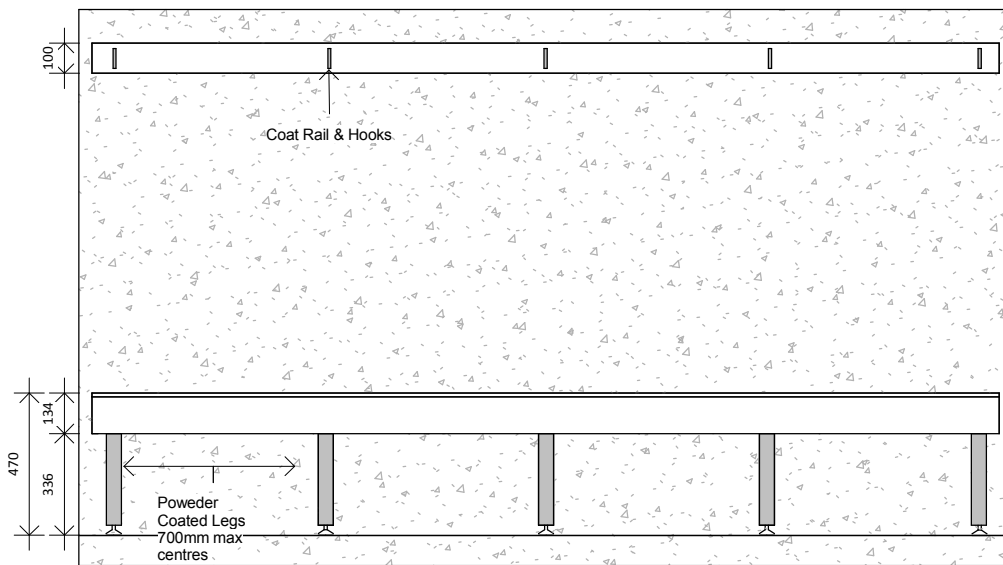
A101



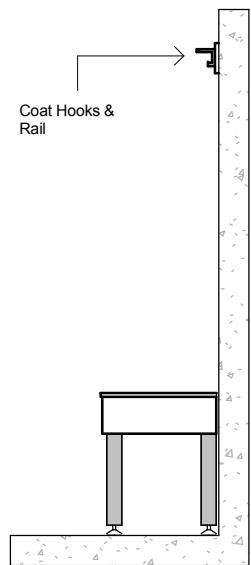
Island Seating Front View



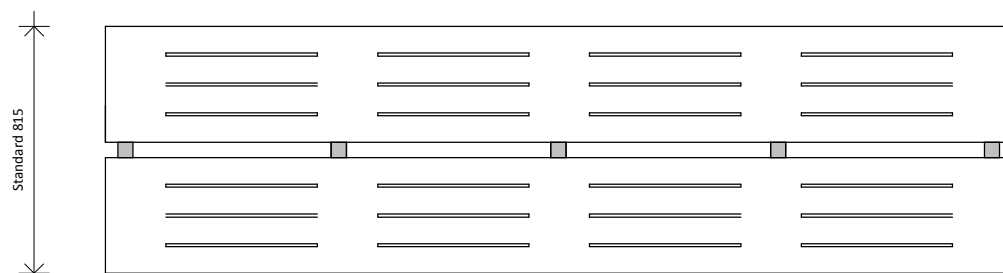
Island Seating End View



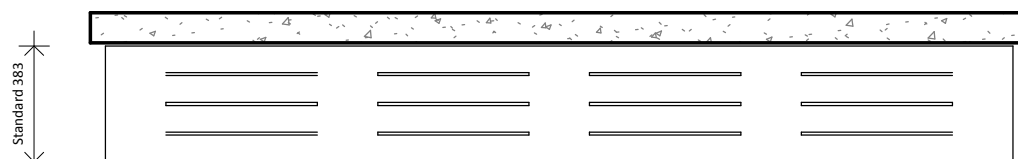
Wall Seating Front View



Wall Seating End View



Island Seating Top View



Wall Seating Top View



**DURACUBE**  
table partitions  
P: 1300 387 288  
E: sales@duracube.com.au  
www.duracube.com.au

Duracube

Typical Layouts

Bench Seating  
Detail Drawings

Drawn by	Author
Date	09/12/17
Job #	Project Number
Scale	1 : 25

It is the clients responsibility to ensure the layout complies with relevant legislation including AS1428.1

Signature  
Date

A101