

# SECTION 4

# BENCH SEATING

Overview	64
Bench Seating – Island	65
Bench Seating – Wall with Shelving	66
Bench Seating – Wall with Coat Rail	67
Bench Seating – Shoe Box Island	68
Bench Seating – Shoe Box Wall with Shelving	69
Bench Seating – Shoe Box Wall with Coat Rail	70





**DuraCube bench seating is constructed from DuraSafe 13mm compact laminate making it robust and durable for heavy-duty applications.**

The benches are designed to coordinate with lockers and partitioning systems.

A practical, low maintenance and modern design, the bench seating is ideal for various wet areas.

**APPLICATIONS**

- Schools and universities
- End-of-trip facilities
- Sport and gym change rooms
- Recreational amenities
- Aquatic centres
- Factory change rooms
- Corporate amenities
- Childcare centres

**FEATURES & BENEFITS**

- DuraSafe 13mm compact laminate construction
- Vandal and impact-resistant surface
- Suitable for wet areas that are hose cleaned
- Low maintenance, easy to clean and sanitise
- Sturdy Oyster Grey powder-coat frames and legs
- Available in island or wall fixed configurations or combined with lockers.
- Coat hooks with rail or shelving is a standard inclusion and installed above bench seating
- A range of compact laminate colours are available
- Most cost-effective when designed in 1200mm and 1800mm lengths

**Bench Seating – Island**



**HOW TO SPECIFY**

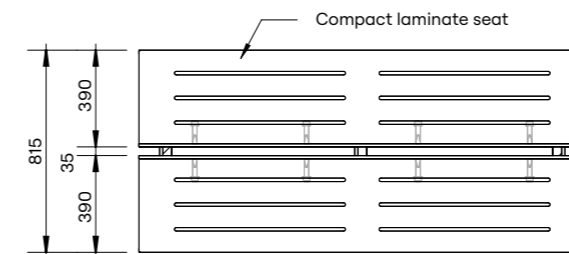
**Product**  
DuraCube bench seating – island (BSI)

**Bench Seat Construction Material**  
DuraSafe 13mm compact laminate

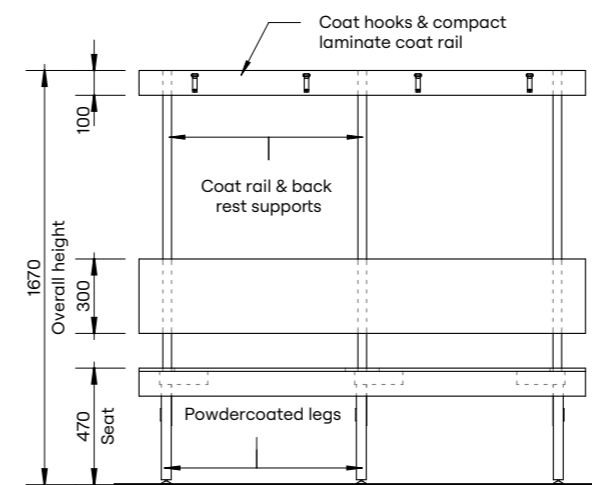
**Coat Rail and Back Rest Supports**  
DuraSafe 13mm compact laminate

**Bench Seat Legs**  
Steel leg – Pearl Grey powder coat

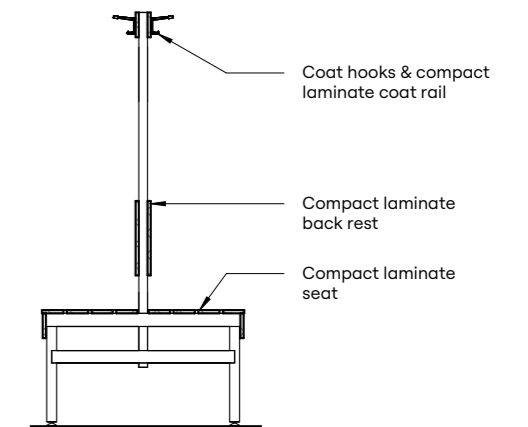
**Frame Finish**  
Steel posts – Pearl Grey powder coat



**Plan**



**Elevation**



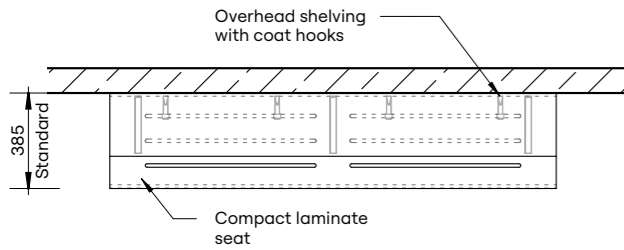
**Section**



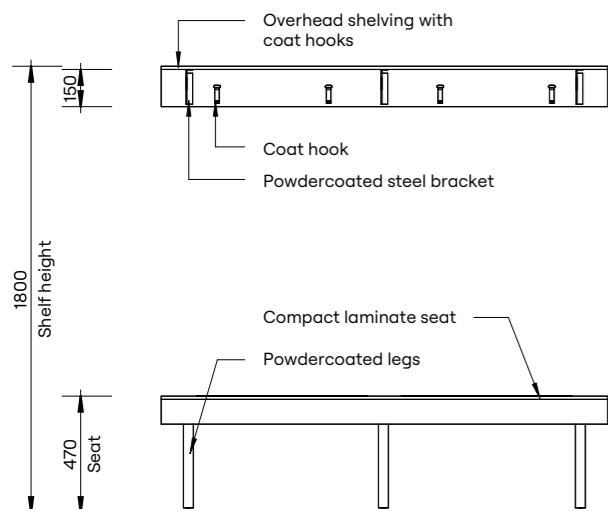
### Bench Seating – Wall with Shelving



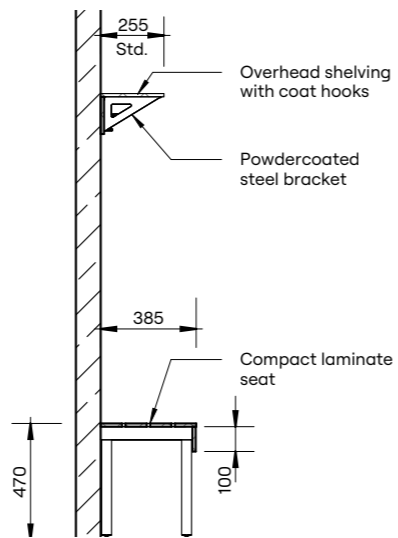
HOW TO SPECIFY	
<b>Product</b>	DuraCube bench seating – wall with shelving (BSW-S)
<b>Bench Seat Construction Material</b>	DuraSafe 13mm compact laminate
<b>Shelving</b>	DuraSafe 13mm compact laminate
<b>Shelf Bracket</b>	Bracket – Oyster Grey powder coat
<b>Bench Seat Legs</b>	Steel leg – Pearl Grey powder coat



Plan



Elevation

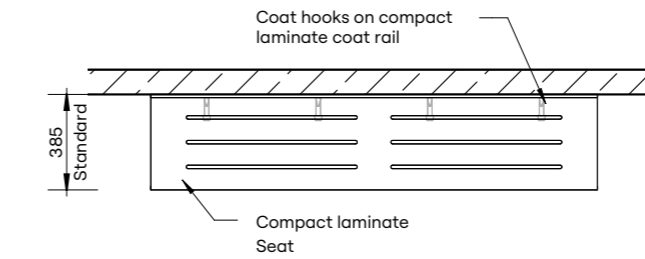


Section

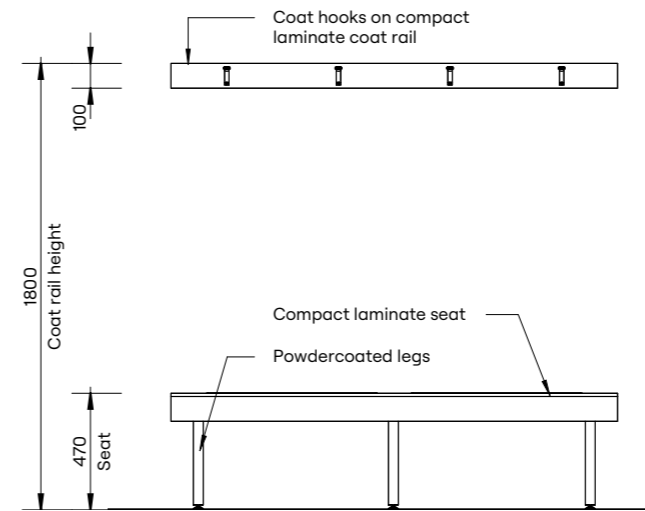
### Bench Seating – Wall with Coat Rail



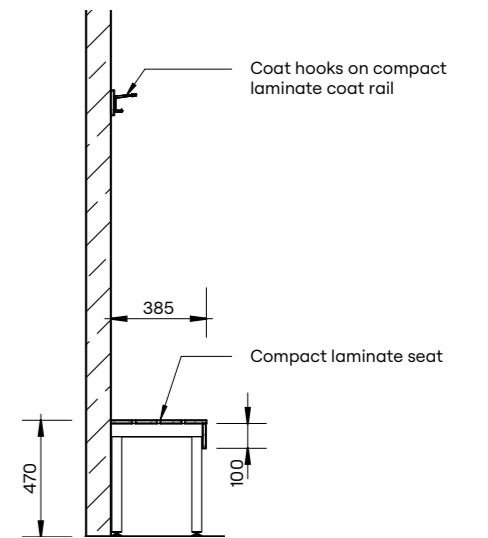
HOW TO SPECIFY	
<b>Product</b>	Bench seating – wall with coat rail (BSW-C)
<b>Bench Seat Construction Material</b>	DuraSafe 13mm compact laminate
<b>Coat Rail</b>	DuraSafe 13mm compact laminate
<b>Bench Seat Legs</b>	Steel leg – Pearl Grey powder coat



Plan



Elevation



Section



**Bench Seating – Shoe Box Island**

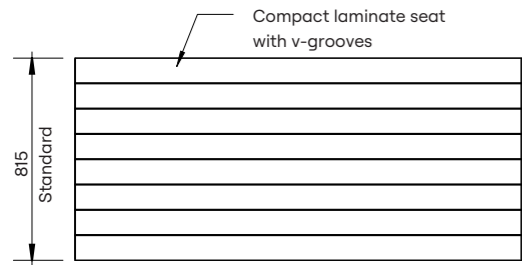


**HOW TO SPECIFY**

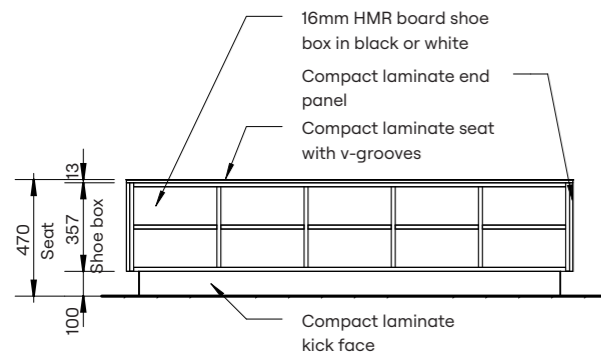
**Product**  
DuraCube bench seating – shoe box island (SBI)

**Bench Seat Construction Material**  
DuraSafe 13mm compact laminate

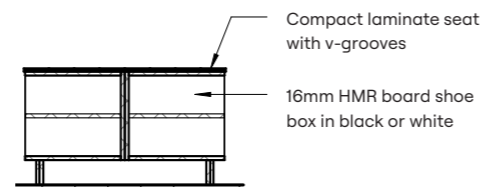
**Internal Carcass Construction Material**  
Select either:  
Dry area lockers – white or black 16mm HMR board  
Wet area lockers – white 16mm PVC board



**Plan**



**Elevation**



**Section**

**Bench Seating – Shoe Box Wall with Shelving**

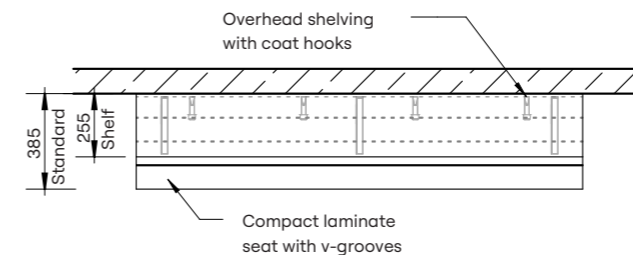


**HOW TO SPECIFY**

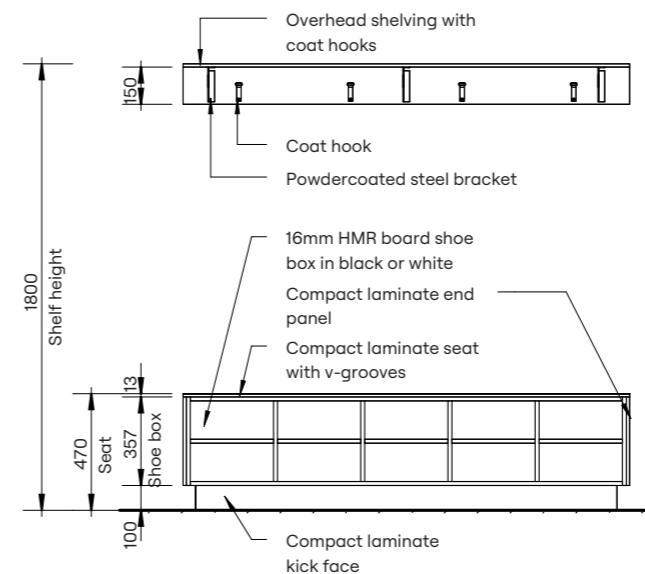
**Product**  
DuraCube bench seating – shoe box island with shelving (SBI-S)

**Bench Seat Construction Material**  
DuraSafe 13mm compact laminate

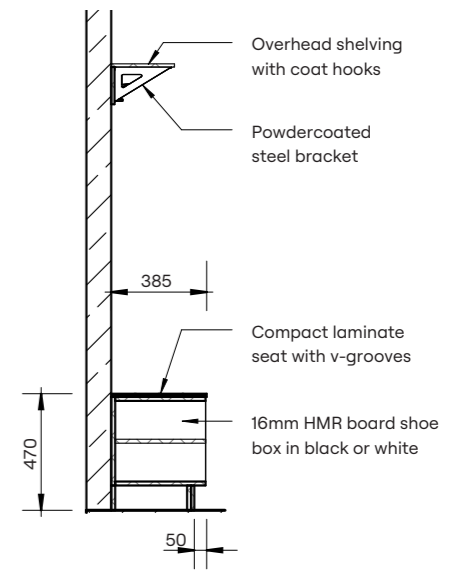
**Internal Carcass Construction Material**  
Select either:  
Dry area lockers – white or black 16mm HMR board  
Wet area lockers – white 16mm PVC board



**Plan**



**Elevation**



**Section**



### Bench Seating – Shoe Box Wall with Coat Rail

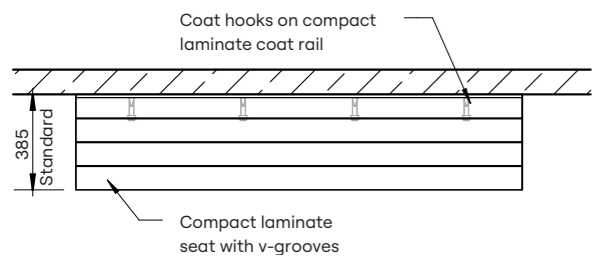


**HOW TO SPECIFY**

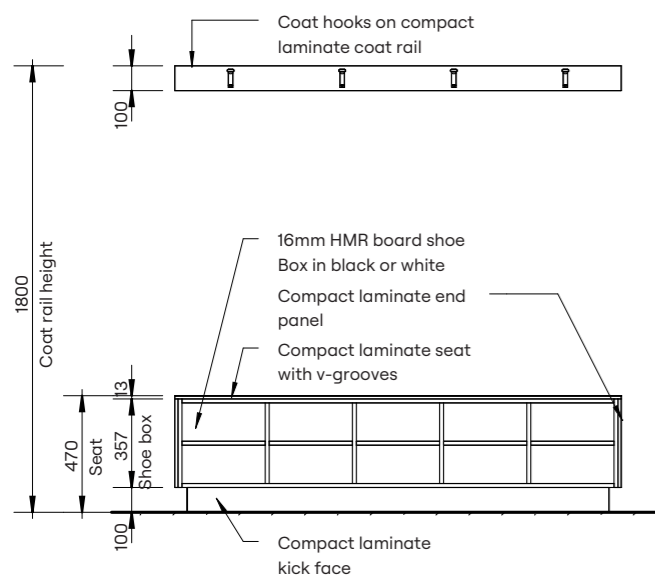
**Product**  
DuraCube bench seating – shoe box wall with coat rail (SBW-C)

**Bench Seat Construction Material**  
DuraSafe 13mm compact laminate

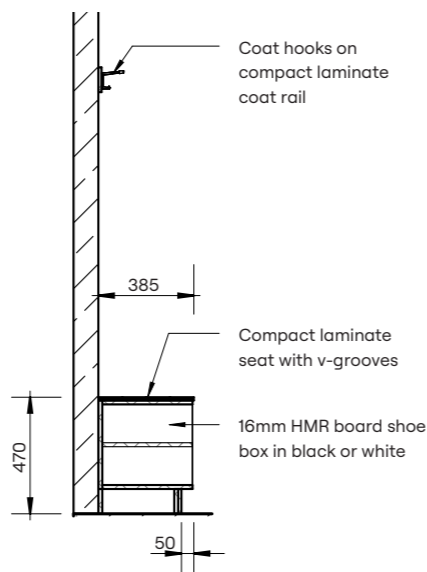
**Internal Carcass Construction Material**  
Select either:  
Dry area lockers – white or black 16mm HMR board  
Wet area lockers – white 16mm PVC board



Plan



Elevation



Section

