

SECTION 4

BENCH SEATING

Overview	64
Bench Seating – Island (BSI)	66
Bench Seating – Wall with Shelving (BSW-S)	67
Bench Seating – Wall with Coat Rail (BSW-C)	68
Bench Seating – Shoe Box Island (SBI)	69
Bench Seating – Shoe Box Wall with Shelving (SBW-S)	71
Bench Seating – Shoe Box Wall with Coat Rail (SBW-C)	72





DuraSafe 275 Classic Grey and DuraSafe 5003 Philippine Teak

DuraCube bench seating is constructed from DuraSafe 13mm compact laminate making it robust and durable for heavy-duty applications.

The benches are designed to coordinate with lockers and partitioning systems.

A practical, low maintenance and modern design, the bench seating is ideal for various wet areas.

APPLICATIONS

- Schools and universities
- End-of-trip facilities
- Sport and gym change rooms
- Recreational amenities
- Aquatic centres
- Factory change rooms
- Corporate amenities
- Childcare centres

FEATURES & BENEFITS

- DuraSafe 13mm compact laminate construction
- Vandal and impact-resistant surface
- Suitable for wet areas that are hose cleaned
- Low maintenance, easy to clean and sanitise
- Sturdy Oyster Grey powder-coat frames and legs
- Available in island or wall fixed configurations or combined with lockers.
- Coat hooks with rail or shelving is a standard inclusion and installed above bench seating
- A range of compact laminate colours are available
- Most cost-effective when designed in 1200mm and 1800mm lengths

Bench Seating – Island (BSI)



HOW TO SPECIFY

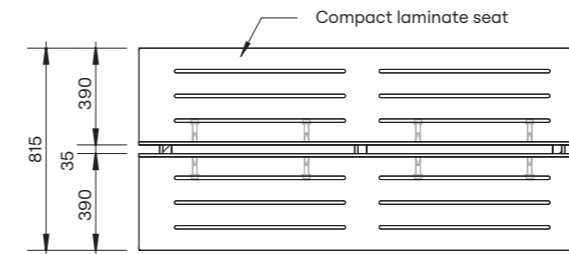
Product
DuraCube bench seating – island (BSI)

Bench Seat Construction Material
DuraSafe 13mm compact laminate

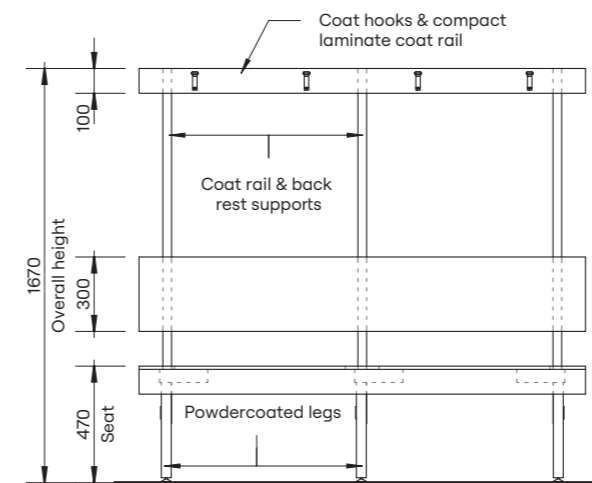
Coat Rail and Back Rest Supports
DuraSafe 13mm compact laminate

Bench Seat Legs
Steel leg – Pearl Grey powder coat

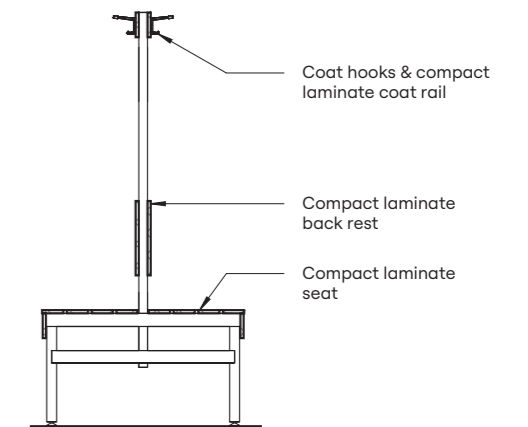
Frame Finish
Steel posts – Pearl Grey powder coat



Plan



Elevation



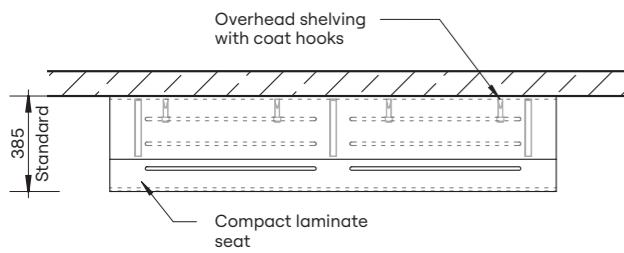
Section



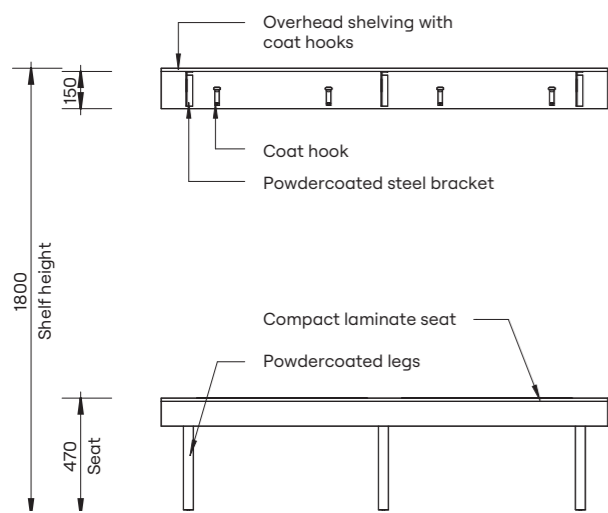
Bench Seating – Wall with Shelving (BSW-S)



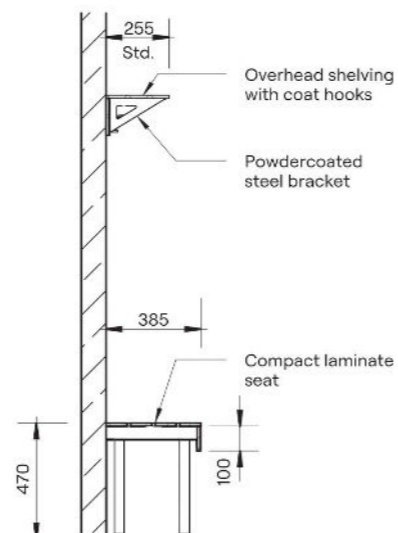
HOW TO SPECIFY
Product DuraCube bench seating – wall with shelving (BSW-S)
Bench Seat Construction Material DuraSafe 13mm compact laminate
Shelving DuraSafe 13mm compact laminate
Shelf Bracket Bracket – Oyster Grey powder coat
Bench Seat Legs Aluminium leg – Pearl Grey or black powder coat



Plan



Elevation

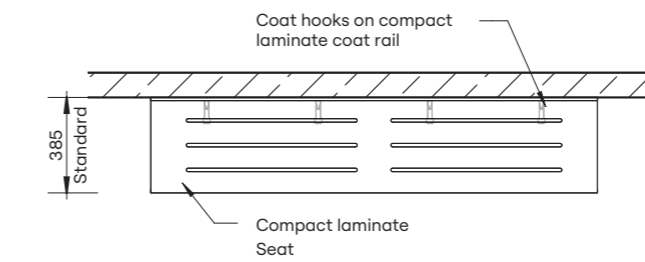


Section

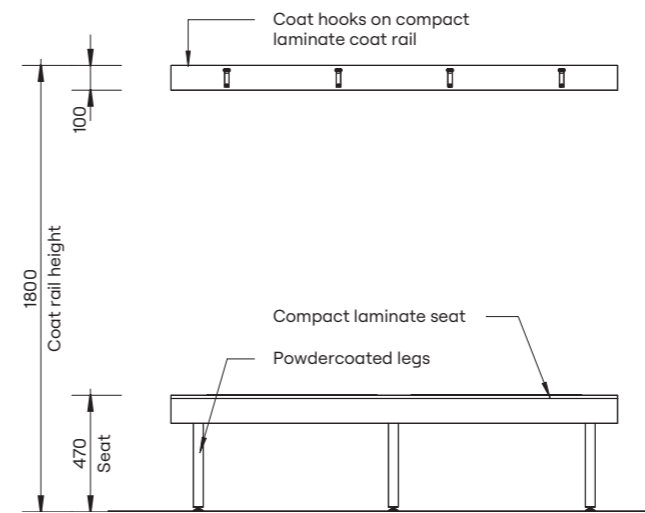
Bench Seating – Wall with Coat Rail (BSW-C)



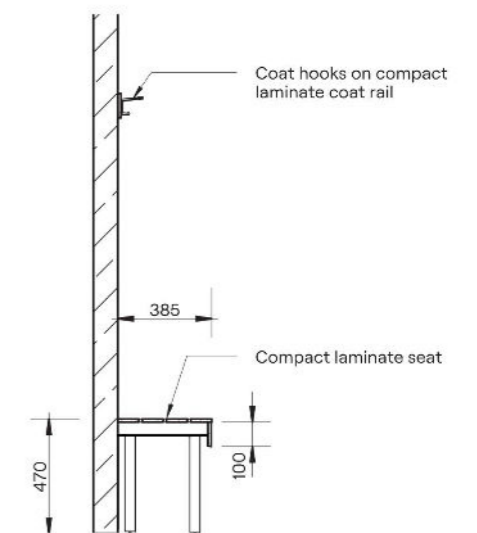
HOW TO SPECIFY
Product Bench seating – wall with coat rail (BSW-C)
Bench Seat Construction Material DuraSafe 13mm compact laminate
Coat Rail DuraSafe 13mm compact laminate
Bench Seat Legs Aluminium leg – Pearl Grey or black powder coat



Plan



Elevation



Section



Bench Seating – Shoe Box Island (SBI)

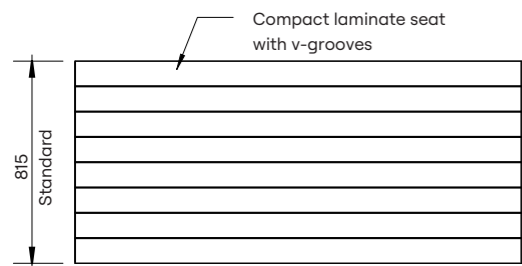


HOW TO SPECIFY

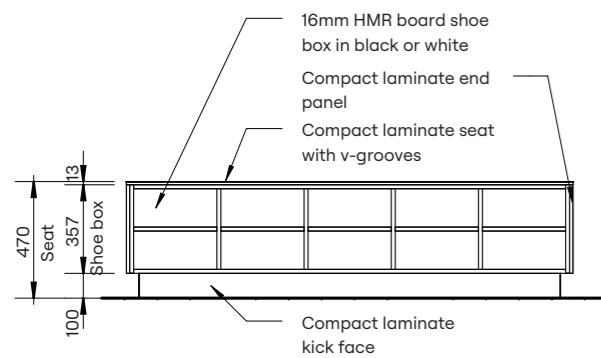
Product
DuraCube bench seating – shoe box island (SBI)

Bench Seat Construction Material
DuraSafe 13mm compact laminate

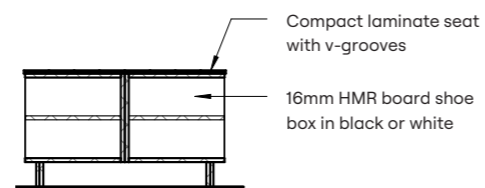
Internal Carcass Construction Material
Select either:
Dry area lockers – white or black 16mm HMR board
Wet area lockers – white 16mm PVC board



Plan



Elevation



Section

Bench Seating – Shoe Box Wall with Shelving (SBW-S)

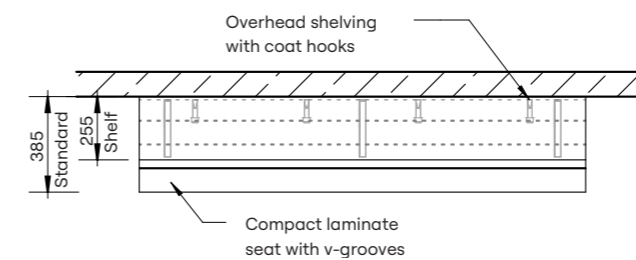


HOW TO SPECIFY

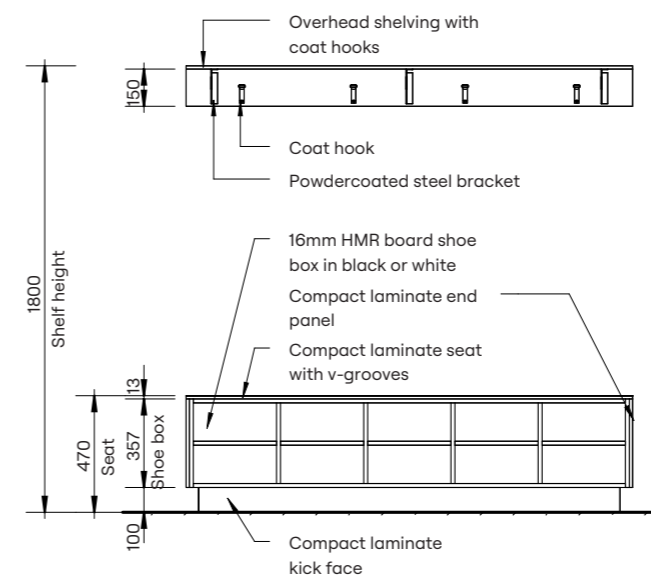
Product
DuraCube bench seating – shoe box island with shelving (SBW-S)

Bench Seat Construction Material
DuraSafe 13mm compact laminate

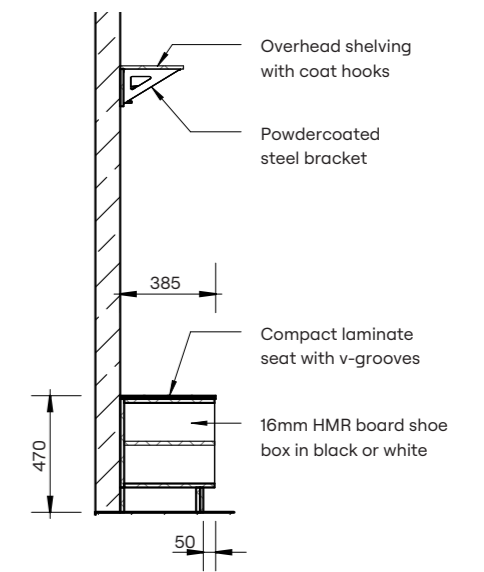
Internal Carcass Construction Material
Select either:
Dry area lockers – white or black 16mm HMR board
Wet area lockers – white 16mm PVC board



Plan



Elevation



Section



Bench Seating – Shoe Box Wall with Coat Rail (SBW-C)

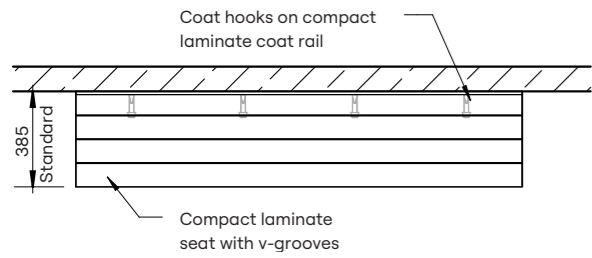


HOW TO SPECIFY

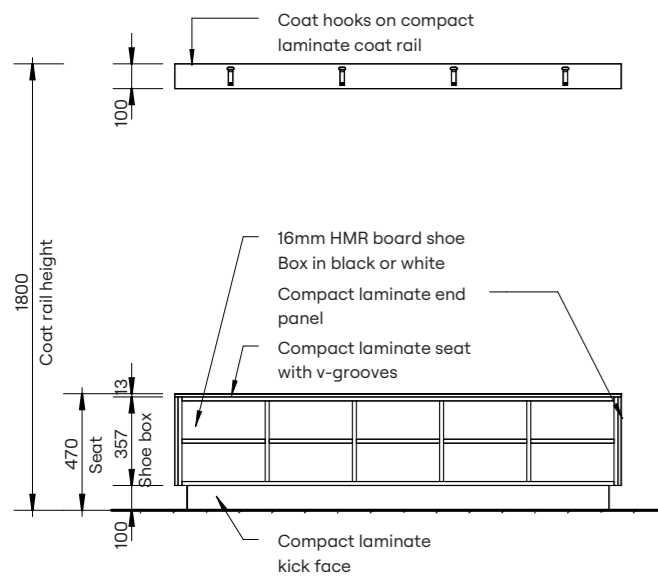
Product
DuraCube bench seating – shoe box wall with coat rail (SBW-C)

Bench Seat Construction Material
DuraSafe 13mm compact laminate

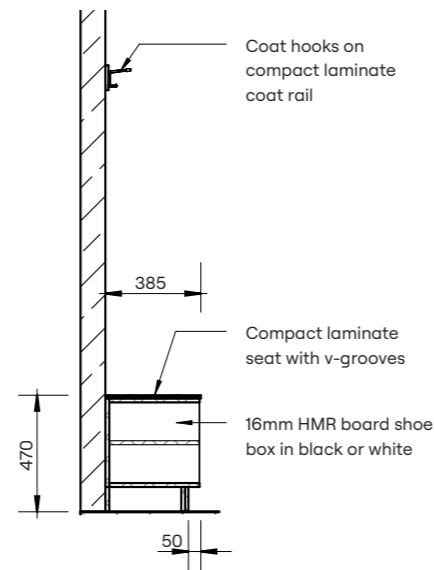
Internal Carcass Construction Material
Select either:
Dry area lockers – white or black 16mm HMR board
Wet area lockers – white 16mm PVC board



Plan



Elevation



Section

